

Instructions for The Flying Ring

Materials: A4 paper, scissors

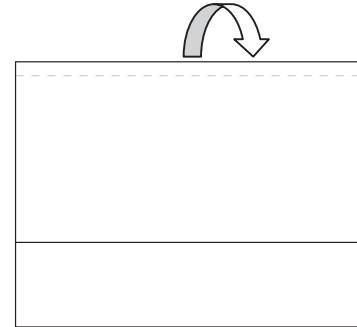


ENGINEERS
AUSTRALIA

1. Begin by cutting along the top and bottom where shown.



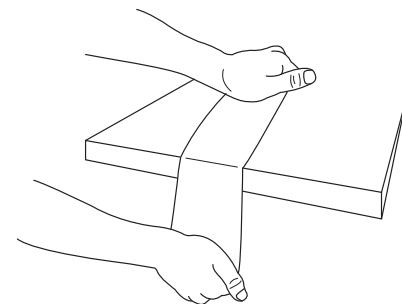
2. Begin by folding along the first fold line. Continue folding this strip over itself until you reach the stop line. Make firm creases with each fold.



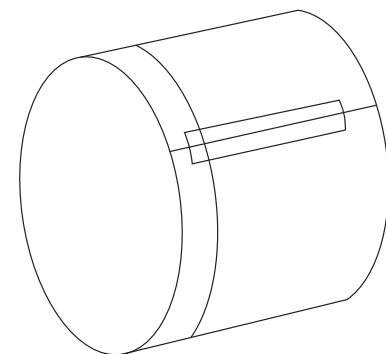
3. Your paper should look like this when you reach the bottom fold line.



4. Gradually work the paper into a cylinder shape with the folded edge along the outside. Sometimes it is easier to do this by grasping both ends of the paper and pulling it back and forth over the edge of a desk to help start the curve.



5. Once you have made the cylinder shape, overlap the edges by about $\frac{1}{2}$ inch and place a piece of tape on the outside seam to hold it together. You're ready to fly!



Throw the ring with the folded edge forward by letting it roll off your fingertips to put spin on it as you release.

MAKE IT SO
I can be an Engineer!

CUT HERE ✂

Make first fold on this line

Keep folding!

Stop folding when you reach this line

✂ CUT HERE



ENGINEERS
AUSTRALIA



Flying Ring

MAKE IT SO

I can be an Engineer!

